

# HEAT ON

## Air heaters

from 450 Watt to 17 400 Watt

## Blowers

from 1,45 m<sup>3</sup>/min to 16,5 m<sup>3</sup>/min



# BAK

[www.bak-ag.com](http://www.bak-ag.com)



BAK Thermoplastic  
Welding Technology AG

Industriestrasse 6  
6064 Kerns / Switzerland

E-Mail [info@bak-ag.com](mailto:info@bak-ag.com)

Telefon +41 (0)41 661 22 50

Fax +41 (0)41 661 22 51

# Calculation of air heaters

## 1. Heat requirement calculation

Formula:  $Q = m * c * \Delta t$

Q = Heat quantity in kJ (Kilojoule)

m = Mass in kg

C = Specific heat capacity in kJ/kg K  
(see value table)

$\Delta t$  = Temperature rise (target temperature – starting temperature)

## 2. Conversion

Formula:  $P = Q/3600$

P = Power in kW

Q = Heat quantity in kJ (Kilojoule)

Value table	Heat capacity (C)	Heat of fusion (Lf) = kJ/kg	Heat of evaporation (Lv) = kJ/kg K
Aluminium	0,896	355,9	11723
Lead	0,13	23,86	921,1
Iron (pure)	0,44	272,1	6364
Gold	0,13	66,99	1758
Graphite	0,712	16750	50242
Constantan	0,41		
Copper	0,381	209,3	4647
Brass	0,389	167,5	
Nickel	0,452	293,1	6196
Platinum	0,134	113	2512
Silver	0,234	104,7	2177
Silicon	0,741	141,5	14068
Tungsten	0,134	191,8	4815
Tin	0,23	58,62	2596
Alcohol	2,428	104,7	858
Benzene	1,738	127,3	389
Machine oil	1,675		
Mercury	0,138	11,72	301
Sulphuric acid	1,382	108,9	511
Water	4,187	333,7	2258
Ammonia	2,06	339,1	1369
Carbon dioxide	0,825	184,2	574
Air	1,001		197
Nitrogen	1,043	25,96	199
Hydrogen	14,24	58,62	461

The efficiency must be considered on the basis of radiation and exhaust air temperature.

We cannot assume any guarantee for the correctness of the information in the table!

# Innovative – practice-oriented – efficient Service

## Air heaters

from 450 Watt to 21 000 Watt

### Practice-oriented

*Type XS, S and M*

reliable configuration and dimensions; flexible due to graduated heating units; activation by potentiometer, controller or SPS

*Type L and XL*

with and without integrated power unit; with power control system via potentiometer, controller or SPS; configuration of the activation can be modified at every service point

### Innovative

multifunctional due to modular layout; modern and functional design

### Efficient Service

reliable service within 24 hours; easy replacement of heating units by the user

## Blowers

from 1,45 m<sup>3</sup>/min to 16,5 m<sup>3</sup>/min

### BAK high-pressure blower:

- Low noise level
- Maintenance-free
- Compact design
- Completely oil-free

### BAK medium-pressure blower:

- High performance at compact design
- Logical performance graduation
- Long service life with low operation costs
- High efficiency
- Favourable noise characteristics
- Robust and hydrodynamic housings
- Maintenance-free
- Compact design
- Completely oil-free

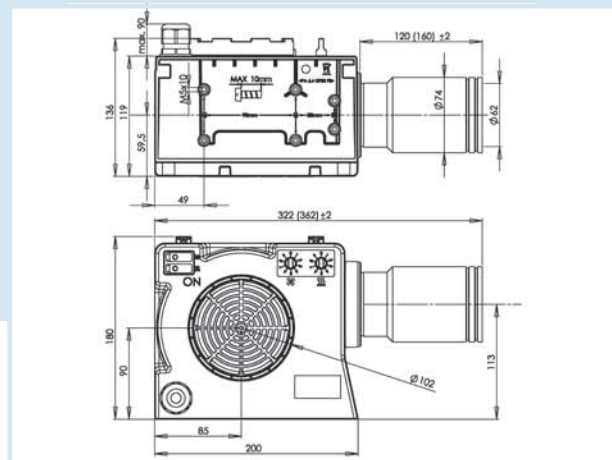
The operating temperature of the high-pressure blower may not exceed 60 °C and the operating temperature of the medium-pressure blower may not exceed 80 °C.

Special versions of the blower can have a temperature stability of up to a maximum of 180 °C (medium-pressure blower). On request, the blowers are also available for the use of frequency converters for speed control. Here, the motors are provided with a reinforced coil insulation. The technical data remain unchanged.

In the standard version the blowers are provided with a stainless steel filter on the intake side, which can be reused after it has been cleaned with compressed air. When a fine filter is used, the stainless steel filter can be removed.

## Hot Air Blower

# Compact



### Technical data

Item No.		5102586	5102602	5102581	5102605	5102599
Voltage	VAC	230	230	230	400	400
Capacity	W	2300	3100	3700	4700	6100
Frequency	Hz	50/60	50/60	50/60	50/60	50/60
Max. temperature	°C	650	800	650	650	650
Min. air flow	l/min	400	350	400	400	550
Max. air flow at 20°C	l/min	940	800	930	960	950
Max. temperature by max. air flow	°C	260	520	440	480	630
Static pressure	Pa	450	450	450	450	450
Air outlet	∅ mm	62	62	62	62	62
Measurements	mm (LxBxH)	322x138x180	360x138x180	322x138x180	360x138x180	360x138x180
Weight incl. cable	kg	2,8	3,1	2,8	3,1	3,1
Protection category II		☐				
Conformity marking		CE				

### Standard equipment

- Variable temperature setting
- Variable air-flow setting
- Main switch that can be locked separately for heating and fan
- Integrated tool protection

### Special version

- External controller for heat (analog or digital)
- External controller for air flow (analog or digital)
- Analysis of motor speed
- Integrated thermocouple
- Integrated digital controller

### Accessories

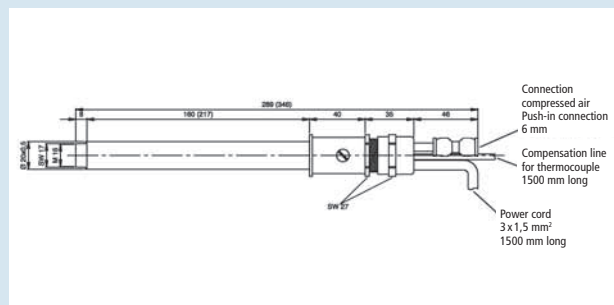
Item No.	Description
5107245	Round nozzle 40 mm
5107246	Connection flange
5107259	Wide slot nozzle 150x12 mm
5107260	Wide slot nozzle 85x15 mm
5107262	Wide slot nozzle 300x4 mm
5106177	Reflector 50x400 mm
5107248	Stainless steel filter
5107247	Extension tube 200x40 mm

Special accessories and external control are available on request! Equipment with different voltage and power are available on request.

## Air heater

# Type XS20

from 450 Watt to 2000 Watt



### Technical data

### XS20

Item No.		5202412	5202414	5202416	5202418	5202420
Voltage	V	230	230	230	230	230
Power	W	450	800	1000	1500	2000
Frequency	Hz	50/60	50/60	50/60	50/60	50/60
Max. temperature	°C	650	650	650	650	650
Max. air pressure	Bar	6,0	6,0	6,0	6,0	6,0
Min. air flow	l/min	30	60	75	100	150
Thermocouple	Type "K"	including	including	including	including	including
Air connection	∅ mm	6	6	6	6	6
Air outlet	∅ mm	17	17	17	17	17
Dimensions	mm (length)	289x30	289x30	289x30	340x30	340x30
Weight	kg	0,42	0,42	0,42	0,50	0,50
Protection class I		⊕				
Marking		CE				

### Accessories

Item No.	Description
5202405	Screw connection for air hose 6/4 with thread 1/8"
5202406	Solid state relay 230 V/12 A, activation 12 VDC
5202407	Cooling element for solid state relays, DIN rail assembly, screwable
5202408	Digital control unit with logic output, 48x24 mm, digital input – analysis selectable

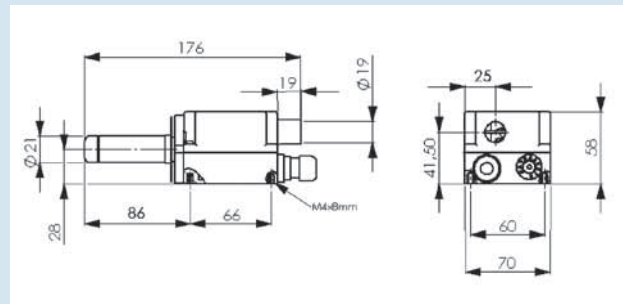
### Special features

- Housing made from stainless steel
- Length of the connection cable and thermocouple line 1,5 m
- Air hose available per meter

## Air heater

# Type S21

up to 800 Watt



### Technical data

### S21

Item No.		5101351	5101354
Voltage	V	230	120
Power	W	800	550
Frequency	Hz	50/60	50/60
Max. temperature	°C	600	600
Min. air flow	l/min	210	150
Air connection	∅ mm	19,0	19,0
Air outlet	∅ mm	13,0	13,0
Dimensions	mm (l x w x h)	188 x 69,5 x 58	188 x 69,5 x 58
Weight	kg	0,3	0,3
Protection class II	☐		
Marking	CE		

### Accessories

Item No.	Description
5107282	Flange connection
5107144	Round nozzle ∅ 5 mm
5107145	Round nozzle ∅ 10 mm

Different voltages, power and special versions, such as external activation via controller or SPS possible.

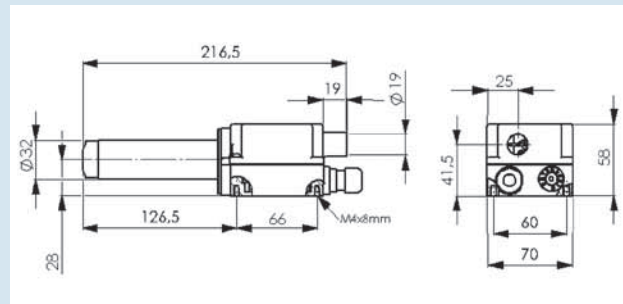
### Available on request!

Special accessories on request!

## Air heater

# Type S32

from 1550 to 2000 Watt



### Technical data

### S32

Item No.		5101355	5101357
Voltage	V	230	230
Power	W	1550	2000
Frequency	Hz	50/60	50/60
Max. temperature	°C	650	650
Min. air flow	l/min	200	260
Air connection	Ø mm	19,0	19,0
Air outlet	Ø mm	16,0	16,0
Dimensions	mm (l x w x h)	228 x 69,5 x 58	228 x 69,5 x 58
Weight	kg	0,4	0,4
Protection class II	□		
Marking	CE		

### Accessories

Item No.	Description
5100303	Tubular nozzle 5 mm
5105475	Wide slot nozzle 20x2 mm
5105526	Wide slot nozzle 40x2 mm

Different voltages, power and special versions, such as external activation via controller or SPS possible.

### Available on request!

Special accessories on request!



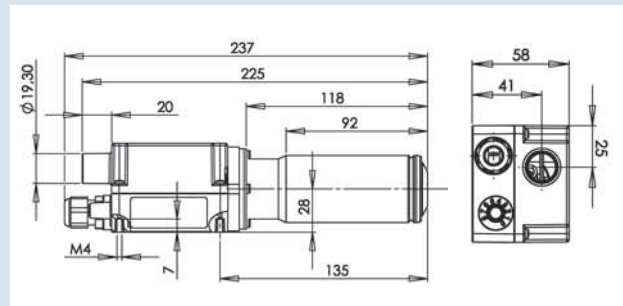
## Air heater

# Type S36

up to 3300 Watt



CE



### Technical data

### S36

Item No.		5101428	5101426	5101436
Voltage	V	230	230	120
Power	W	2300	3300	2200
Frequency	Hz	50/60	50/60	50/60
Max. temperature	°C	650	650	650
Min. air flow	l/min	240	370	240
Air connection	∅ mm	19,0	19,0	19,0
Air outlet	∅ mm	22,0	22,0	22,0
Dimensions	mm (l x w x h)	225 x 69,5 x 58	225 x 69,5 x 58	225 x 69,5 x 58
Weight	kg	0,5	0,5	0,5
Protection class II	□			
Marking	CE			

### Accessories

Item No.	Description
5107250	Flange connection
5107003	Angle nozzle 90 degrees, ∅ 12 mm
5107261	Wide slot nozzle 70x4 mm
5107251	Extension tube 210x36,5 mm

Different voltages, power and special versions, such as external activation via controller or SPS possible.

### Available on request!

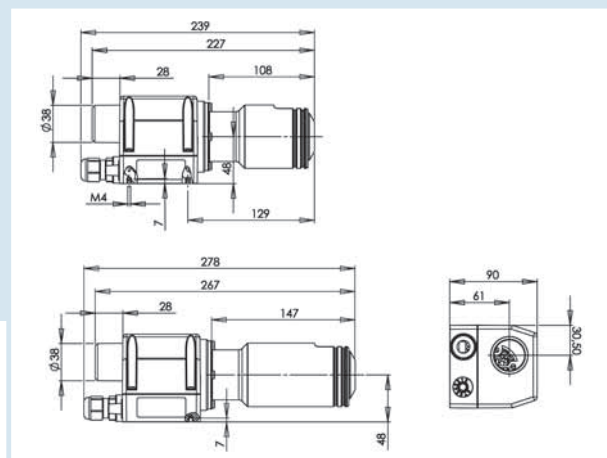
Special accessories on request!



## Air heater

# Type M50/M50L

from 2200 Watt to 7400 Watt



### Technical data

		M50			M50L	
Item No.		5101801	5101796	5101806	5112686	5112688
Voltage	V	230	230	400	400-440	400-440
Power	W	2200	3700	4500	4600-5570	6100-7400
Frequency	Hz	50/60	50/60	50/60	50/60	50/60
Max. temperature	°C	650	650	650	650	650
Min. air flow	l/min	160	290	370	370	540
Air connection	∅ mm	38,0	38,0	38,0	38,0	38,0
Air outlet	∅ mm	30,0	30,0	30,0	30,0	30,0
Dimensions	mm (l x w x h)	239 x 85 x 90	239 x 85 x 90	239 x 85 x 90	278 x 85 x 90	278 x 85 x 90
Weight	kg	0,8	0,8	0,8	0,9	0,9
Protection class II		<input checked="" type="checkbox"/>				
Marking		CE				

### Accessories

Item No.	Description
5107254	Flange connection
5107255	Extension tube 160x36,5 mm
5107256	Angle nozzle ∅ 50 mm, 160x100 mm
5107258	Wide slot nozzle 70x10 mm
5107270	Wide slot nozzle 150x12 mm

Different voltages, power and special versions, such as external activation via controller or SPS possible.

### Available on request!

Special accessories on request!

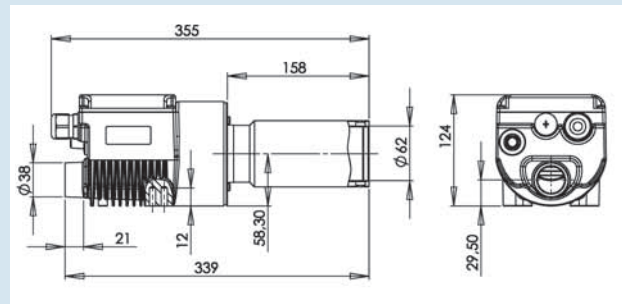
## Air heater

# Type L62

from 4300 Watt to 10500 Watt



CE



### Technical data

### L62

Item No.		5102156	5102167	5102174
Voltage	V	230	400–480	400–440
Power	W	4300	5800–8400	8600–10500
Frequency	Hz	50/60	50/60	50/60
Max. temperature	°C	700	700	700
Min. air flow	l/min	240	390	470
Air connection	Ø mm	38,0	38,0	38,0
Air outlet	Ø mm	62,0	62,0	62,0
Dimensions	mm (l x w x h)	355 x 123 x 124	355 x 123 x 124	355 x 123 x 124
Weight	kg	2,9	2,9	2,9
Protection class I	⊕			
Marking	CE			

### Accessories

Item No.	Description
5107245	Round nozzle Ø 40 mm
5107246	Flange connection
5107247	Extension tube 200x40 mm
5107259	Wide slot nozzle 150x12 mm
5107260	Wide slot nozzle 85x15 mm
5107262	Wide slot nozzle 300x4 mm
5107265	Angle nozzle Ø 62 mm, 120x112 mm

Different voltages, power and special versions, such as external activation via controller or SPS possible.

### Available on request!

Special accessories on request!

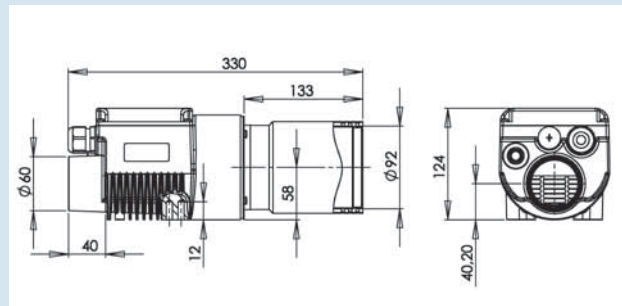
## Air heater

# Type XL92

from 5900 Watt to 21 000 Watt



CE



### Technical data

### XL92

Item No.		5102761	5102760	5102765
Voltage	V	400–480	400–480	400–440
Power	W	5900–8500	11800–17000	17400–21000
Frequency	Hz	50/60	50/60	50/60
Max. temperature	°C	650	650	650
Min. air flow	l/min	370	760	1140
Air connection	Ø mm	60	60	60
Air outlet	Ø mm	92	92	92
Dimensions	mm (l x w x h)	330 x 123 x 124	330 x 123 x 124	330 x 123 x 124
Weight	kg	3,3	3,3	3,3
Protection class I		⊕		
Marking		CE		

### Accessories

Item No.	Description
5107244	Round nozzle Ø 50 mm
5107275	Flange connection
5107273	Extension tube 500x60 mm
5107274	Wide slot nozzle 130x17 mm
5107272	Wide slot nozzle 300x12 mm
5107267	Wide slot nozzle 500x15 mm
5107269	Angle nozzle Ø 50 mm, 175x175 mm

Different voltages, power and special versions, such as external activation via controller or SPS possible.

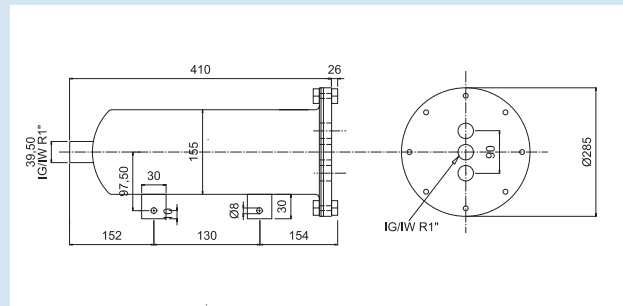
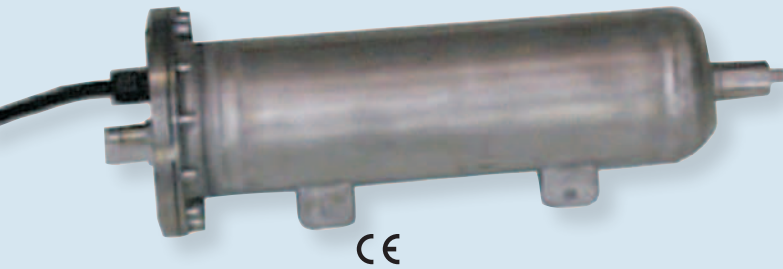
### Available on request!

Special accessories on request!

## Air heater

# Pressure-resistant

from 3300 Watt to 14300 Watt



The small dimensions of the gas-tight air heater enables space-saving installation. If one or several heaters are connected to the compressed air network, you will receive an air flow with high air speed. The temperature can be controlled electronically to 100 %. The hot air stream is used in drying processes, soldering processes, etc. Due to the robust design, this device is suitable for the most demanding use.

### Special features

- Gas-tight, pressure-resistant
- Reliable protection of heating element due to the integrated electronics
- Optionally integrated thermocouple
- External activation via controller or SPS possible
- External potentiometer possible
- Connection cable with a length of 3 meters is standard, a circuit breaker with two poles must be provided on the main side

Technical data		S	M	XL
Item No.		5201190	5201191	5201193
Voltage	V	230	230	400–440
Power	W	3300	3700	11800–14300
Frequency	Hz	50/60	50/60	50/60
Max. temperature	°C	650	650	650
Max. air pressure	Bar	10,0	10,0	10,0
Min. air flow	l/min	420	360	760
Air connection	∅	1/2"	1"	2"
Air outlet	∅	1/2"	1"	2"
Dimensions	mm (l x w x h)	350 x 160	442,5 x 285	575 x 340
Weight	kg	4,7	16,5	24,0
Protection class I	⊕			
Marking	CE			

### ATTENTION!

- Observe the minimum air quantity
- Supply only dry and oil-free air
- The heaters are only suitable for stationary use in plant and machines
- Incorrect use of air heaters may cause fire hazard
- The air heaters correspond to protection class 1 and must be connected by qualified personnel
- Observe operating instructions

Different voltages, power and special versions, such as external activation via controller or SPS possible.

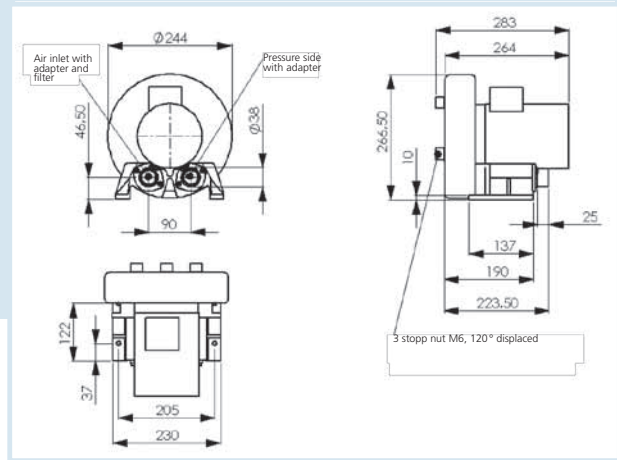
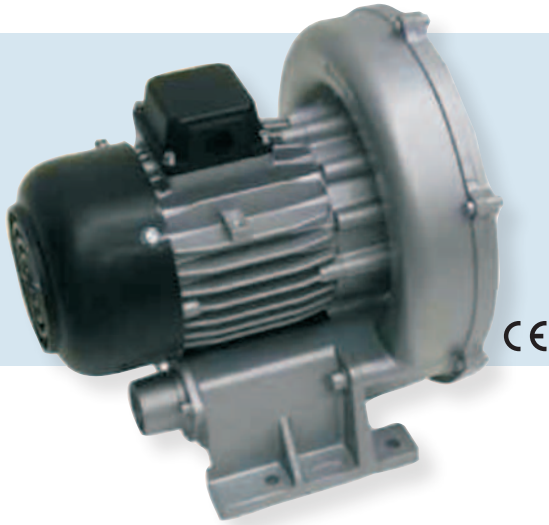
### Available on request!

Special accessories on request!

## High-pressure blower

# HD140

1,45 m<sup>3</sup>/min – 14 000 Pa



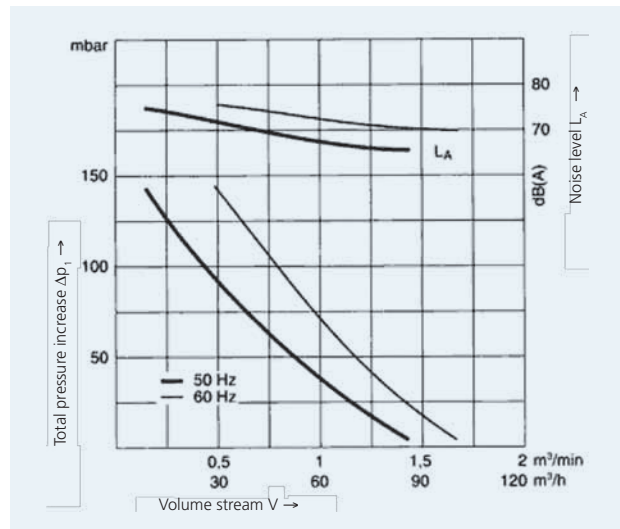
### Technical data

Item No.	5103429		Design		Side channel blower				
Volumetric current	Total pressure difference	Voltage	Frequency	Current consumption	Speed	Motor power	Noise pressure level	Weight	
m <sup>3</sup> /min	Pa	V	Hz	A	rpm	kW	LpA (db)	kg	
1,45	14 000	3 x 230–440	50	1,1–2,45	2825	0,44	65	11,3	
1,70	14 000	3 x 230–480	60	1,2–2,25	3410	0,56	70	11,3	

Inlet port	Ø 38 mm (exterior)
Outlet port	Ø 38 mm (exterior)
Dimensions (l x w x h)	283 x 244 x 266,5
Ambient temperature	–20 °C to +60 °C
Type of protection	IP 54
Optionally 1 x 230 V	Capacitor 230 V; 40 µF/V

### Accessories

Item No.	Description
5108623	Motor capacitor 230 V with clamp and cable
5107293	Hose connection adapter 1 x 38/2 x 38 mm
5107298	Hose connection adapter 1 x 38/2 x 19 mm
5107286	Air hose Ø 38 mm
5107287	Hose clip Ø 38 mm
5107350	Air hose Ø 19 mm
5107290	Hose clip Ø 19 mm



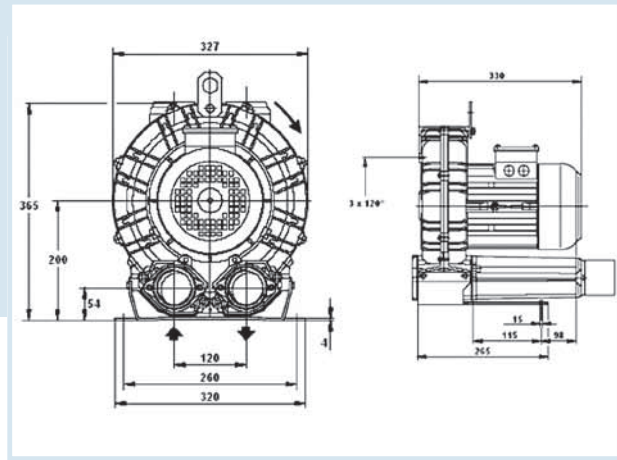
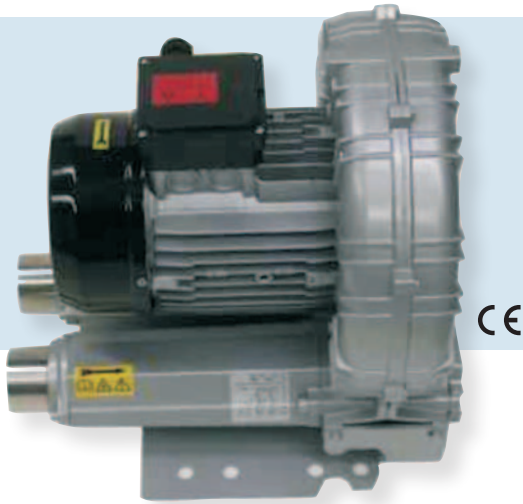
In the blowers, a stainless steel filter is standard at the intake connection!

Special accessories on request!

## High-pressure blower

# HD240

3,65 m<sup>3</sup>/min – 27 000 Pa



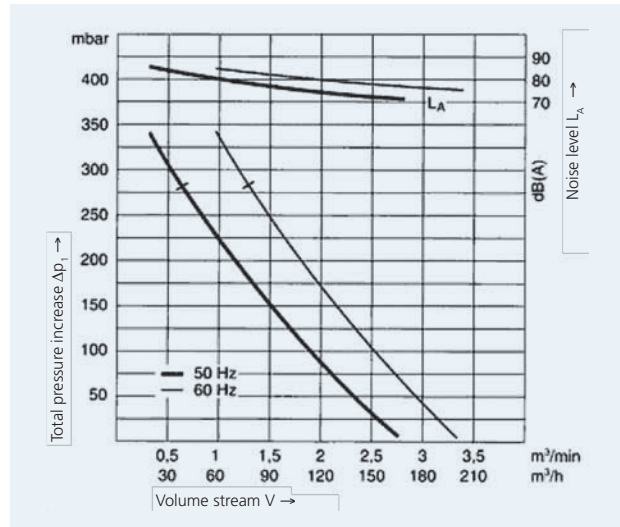
### Technical data

Item No.	5100200		Design		Side channel blower				
Volumetric current	Total pressure difference	Voltage	Frequency	Current consumption	Speed	Motor power	Noise pressure level	Weight	
m <sup>3</sup> /min	Pa	V	Hz	A	rpm	kW	LpA (db)	kg	
3,65	27 000	3 x 230–400	50	5,1	2900	2,20	68,8	26,5	
4,42	26 000	3 x 460	60	5,1	3500	2,55	70,8	26,5	

Inlet port	∅ 60 mm (exterior)
Outlet port	∅ 60 mm (exterior)
Dimensions (l x w x h)	397 x 327 x 365
Ambient temperature	–20 °C to +60 °C
Type of protection	IP 54

### Accessories

Item No.	Description
5107278	Hose connection adapter 1x60/2x60 mm
5107291	Hose connection adapter 1x60/1x38 mm
5107293	Hose connection adapter 1x38/2x38 mm
5107288	Air hose ∅ 60 mm
5107285	Hose clip ∅ 60 mm
5107286	Air hose ∅ 38 mm
5107287	Hose clip ∅ 38 mm



In the blowers, a stainless steel filter is standard at the intake connection!

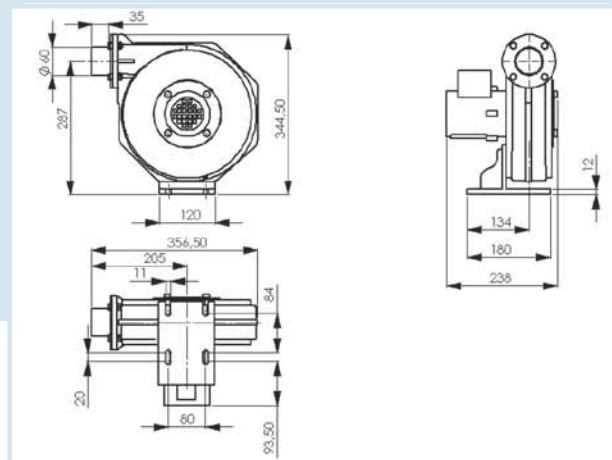
Special accessories on request!



## Medium-pressure blower

# MD10

4,9 m<sup>3</sup>/min – 1000 Pa



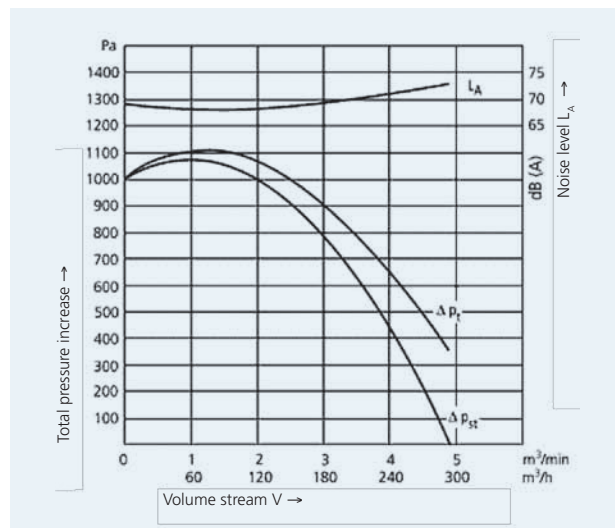
### Technical data

Item No.	5103507		Design						Centrifugal blower	
Volumetric current	Total pressure difference	Voltage	Frequency	Current consumption	Speed	Motor power	Noise pressure level	Weight		
m <sup>3</sup> /min	Pa	V	Hz	A	rpm	kW	LpA (db)	kg		
4,9	1000	3 x 200–480	50	0,26–0,48	2750	0,075	73	8,5		
5,2	1200	3 x 200–480	60	0,32–0,59	3120	0,14	76	8,5		

Inlet port	∅ 70 mm
Outlet port	∅ 60 mm (exterior)
Dimensions (l x w x h)	231 x 356,5 x 344,5
Ambient temperature	–20 °C to +60 °C
Type of protection	IP 54
Optionally 1 x 230 V	Capacitor 230 V; 8 µF/V

### Accessories

Item No.	Description
5110887	Motor capacitor 230 V with clamp and cable
5107278	Hose connection adapter 1 x 60/2 x 60 mm
5107291	Hose connection adapter 1 x 60/1 x 38 mm
5107293	Hose connection adapter 1 x 38/2 x 38 mm
5107288	Air hose ∅ 60 mm
5107285	Hose clip ∅ 60 mm
5107286	Air hose ∅ 38 mm
5107287	Hose clip ∅ 38 mm



In the blowers, a stainless steel filter is standard at the intake connection!

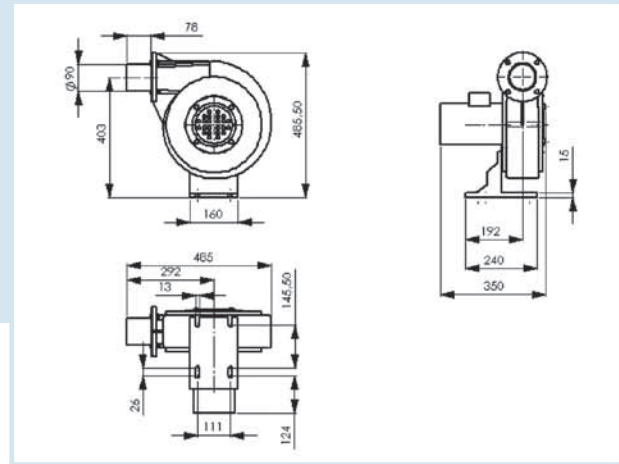
Special accessories on request!



## Medium-pressure blower

# MD14

16,5 m<sup>3</sup>/min – 1400 Pa



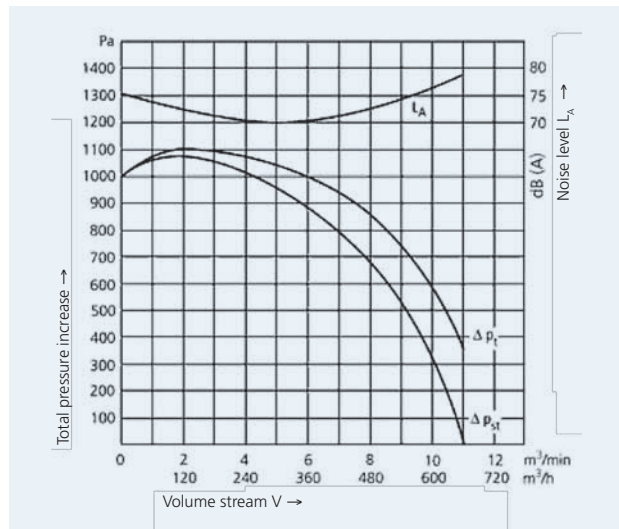
### Technical data

Item No.	5103527		Design Centrifugal blower						
Volumetric current	Total pressure difference	Voltage	Frequency	Current consumption	Speed	Motor power	Noise pressure level	Weight	
m <sup>3</sup> /min	Pa	V	Hz	A	rpm	kW	LpA (db)	kg	
16,5	1400	3 x 200–480	50	0,9–2,6	2825	0,37	76	17,0	
19,5	2000	3 x 200–480	60	1,15–2,25	3340	0,55	77	17,0	

Inlet port	Ø 125 mm
Outlet port	Ø 90 mm (exterior)
Dimensions (l x w x h)	345 x 485 x 485,5
Ambient temperature	–20 °C to +60 °C
Type of protection	IP 54
Optionally 1 x 230 V	Capacitor 230 V; 30 µF/V

### Accessories

Item No.	Description
5103523	Motor capacitor 230 V with clamp and cable
5107238	Hose connection adapter 1 x 90/2 x 60 mm
5107278	Hose connection adapter 1 x 60/2 x 60 mm
5107291	Hose connection adapter 1 x 60/1 x 38 mm
5107293	Hose connection adapter 1 x 38/2 x 38 mm
5107288	Air hose Ø 60 mm
5107285	Hose clip Ø 60 mm
5107286	Air hose Ø 38 mm
5107287	Hose clip Ø 38 mm



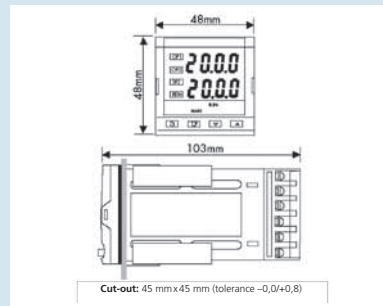
In the blowers, a stainless steel filter is standard at the intake connection!

Special accessories on request!

## Control units and sensors

# E.T.R. 48-24

## Digital temperature control unit



**Ideal for regulating temperatures of BAK air heaters**  
The model E.T.R. is a multifunctional PID temperature control unit in 1/16 DIN size (48x48 mm) or 1/32 DIN size (48x24 mm) with self-optimisation.

### Exact regulation

A reliable PID control algorithm enables a stable "straightforward" regulation of the process.

### Universal input

The universal input circuit of the E.T.R. is provided with an analogue-to-digital converter.

This converter scans the input with 9 Hz and constantly corrects the drift. That ensures high process stability and enables fast reactions to changes.

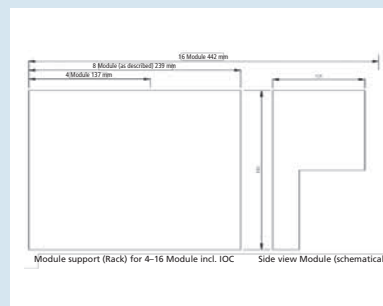
### Easy operation

A bright, clearly visible LED display shows the actual value and the error message. The nominal value can be changed by pressing the +/- buttons.

### Digital communication (optional)

The RS485, RS422 or RS232 communication interface supports Modbus®, DeviceNet®.

# Multi-channel PID control unit



### Ideal when using several control circuits in one installation

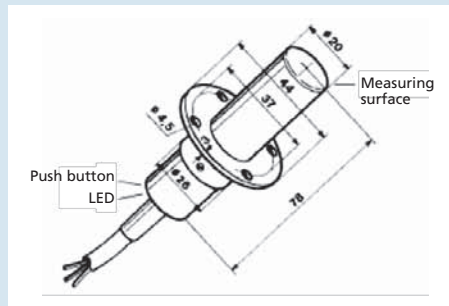
The system E.T.R 2500 is an intelligent, local E/A system with a high computing power, highest precision and high functionality with progressive functions, such as PID regulation with self-optimisation. The system

communicates by means of a Modbus™ or Profibus™ Master. It can be used for signal processing, alarm handling and local data collection or regulation for master systems and PC-controlled SCADA packages and SPS'n.

Our special brochure for control units is available on request!

# M2compact (DC)

## Air flow monitor



### Important note!

Please note that the operation of hot air blowers is only permissible pursuant to VDE 0100 when the air supply is monitored reliably.

Please observe the following excerpt from the VDE 0100, Part 420, DIN 57100, Section 6.1.1: "Blower-type heating systems must be erected in such a way that their heating units are not activated until the required air flow has been reached (does not apply to thermal storage heaters)."

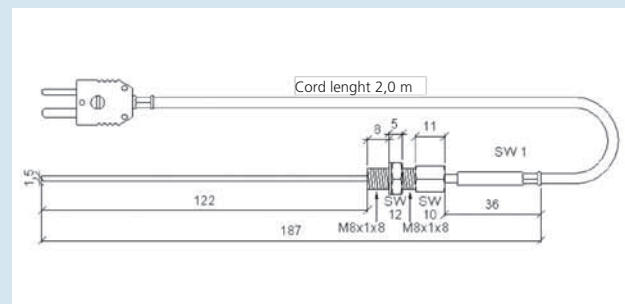
### Technical data

Output	PNP shutter
Monitoring area	1–16 m/s
Default setting	3 m/s
Response time	2–10 s
Readiness delay	30 s
Operational voltage	24 V DC
Duration current carrying capacity	0–200 mA
Short circuit – overcurrent protection	yes

No-load current	< 40 mA
Voltage drop	< 2 V
Switching hysteresis	max. 15 %
Ambient temperature	–10 bis +60 °C
Type of protection	IP 67
Connection type	2 m cable
Function indicator	Duo-LED red/green
Housing material	plastic

One-piece sensor for monitoring aeriform and gaseous flows by means of integrated evaluation electronics. Due to its teach-in function, the calorimetric device ensures maintenance-free operation.

# Temperature probe



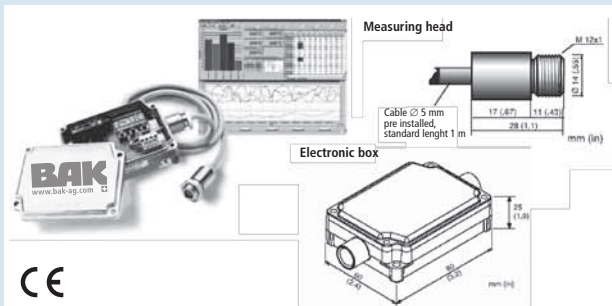
Thermocouples type "K" are reliable and robust. With a sensor length of approx. 122 mm the probe can be positioned perfectly, even in inaccessible places.

The PTFE compensating cable has a standard length of 2,0 meters and is equipped with a miniature plug.

If an extension of the compensating cable is required, just let us know the required length.

The thermocouples correspond to DIN 60584, class 1.

# IR temperature probe



- Miniature gauge head for installations in narrow spaces
- Ambient temperatures up to 85 °C without cooling
- Five-digit LCD display with background lighting
- 3 control inputs for configuration switching
- Emission of two temperature-measuring signals (gauge head and measuring object temperature)
- Replaceable gauge heads
- Accessories for cooling and air flushing
- RS232 or RS485 interface optional

Item No.	Description
10HD.1	ETR digital regulation with logic output
On request	Multi-channel control unit E.T.R. 2500; 4 and 8 channels; extendable up to a maximum of 64 channels
On request	Touch panel for visualising the application of the multi-channel regulator E.T.R. 2500
5202110	Air flow monitor M2 compact (DC), TEACH IN, 3 m/s 24 V DC, short-circuit-proof, PNP-S, incl. 2 m cable and assembly flange
5106956	Thermocouple measuring probe with plug, 2 m cable
5106957	Thermocouple cable per meter
On request	IR temperature probe with gauge head and signal box, 1 m cable

## Accessories

# Air volume control



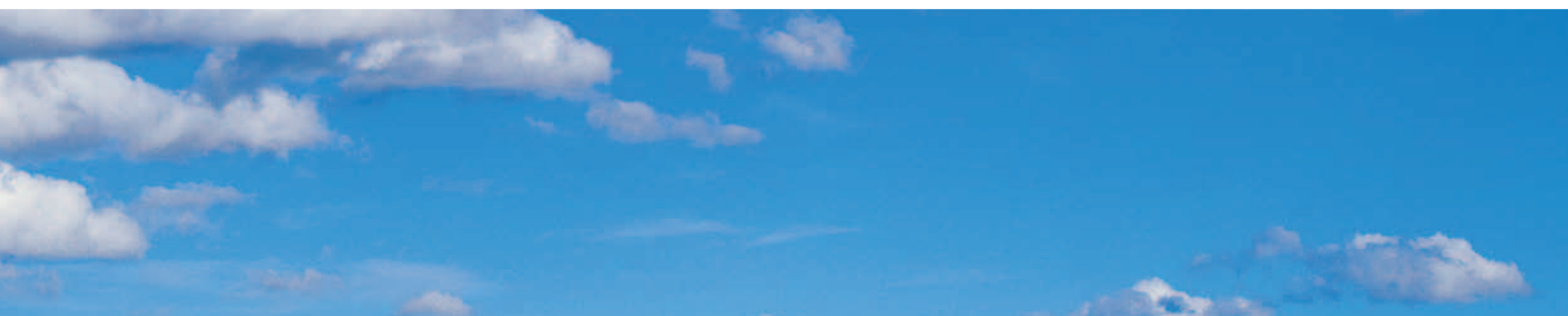
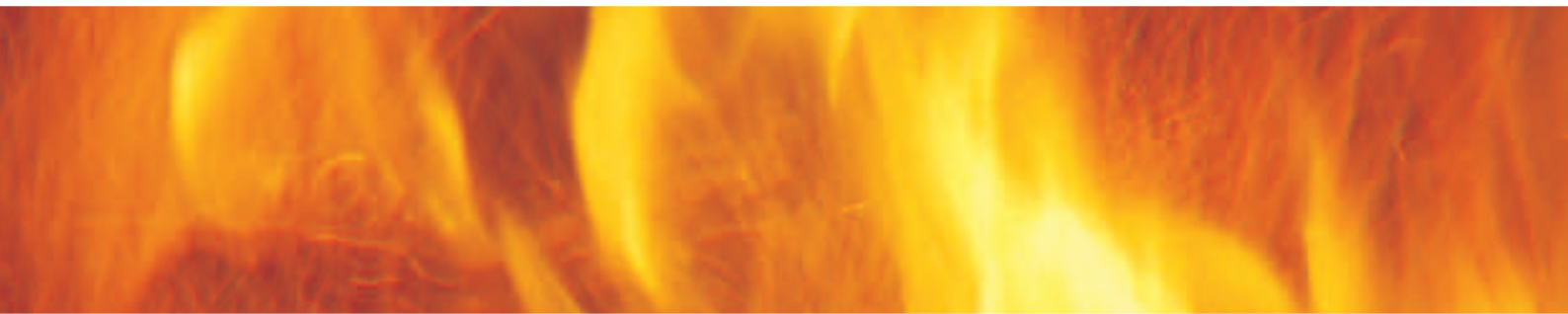
Manual air volume control for connection to blower flange on pressure side of **BAK** high and medium-pressure blowers.

Item No.	Description
5108755	Manual air volume control for 38/40 mm hose
5107295	Manual air volume control for 60/62 mm hose



Pneumatic air supply shut-off mechanism for connection to blower flange on pressure side of **BAK** high and medium-pressure blowers.

Item No.	Description
5107299	Pneumatic air supply shut-off mechanism for 38/40 mm hose
5107296	Pneumatic air supply shut-off mechanism for 60/62 mm hose



# BAK

[www.bak-ag.com](http://www.bak-ag.com) 

BAK Thermoplastic  
Welding Technology AG

Industriestrasse 6  
6064 Kerns / Switzerland

E-Mail [info@bak-ag.com](mailto:info@bak-ag.com)

Telefon +41 (0)41 661 22 50  
Fax +41 (0)41 661 22 51