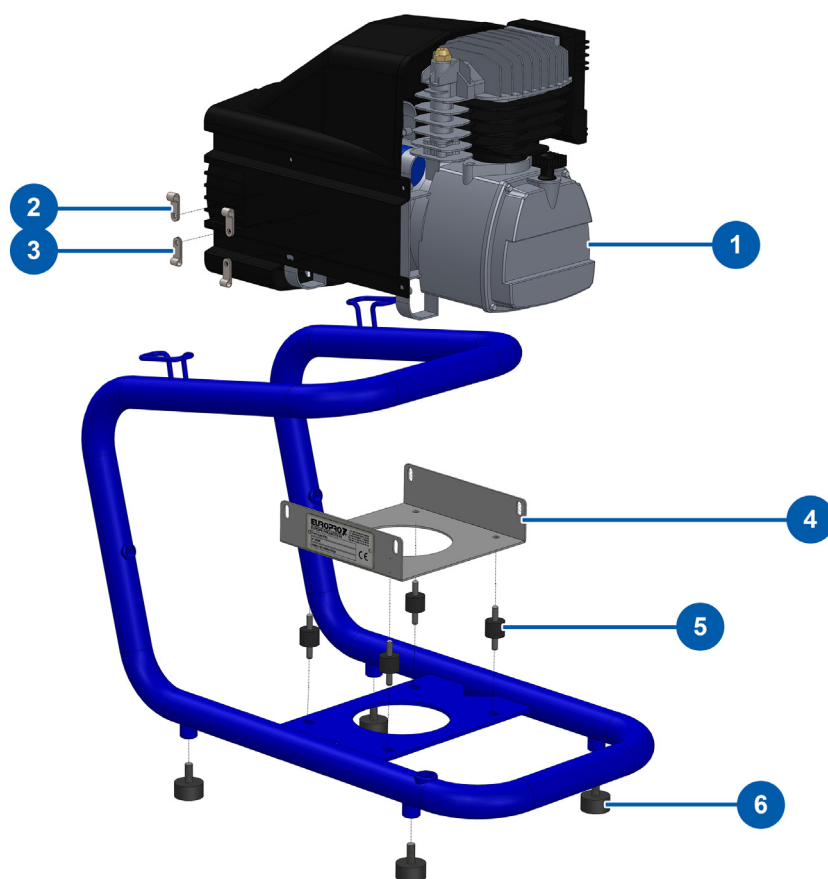
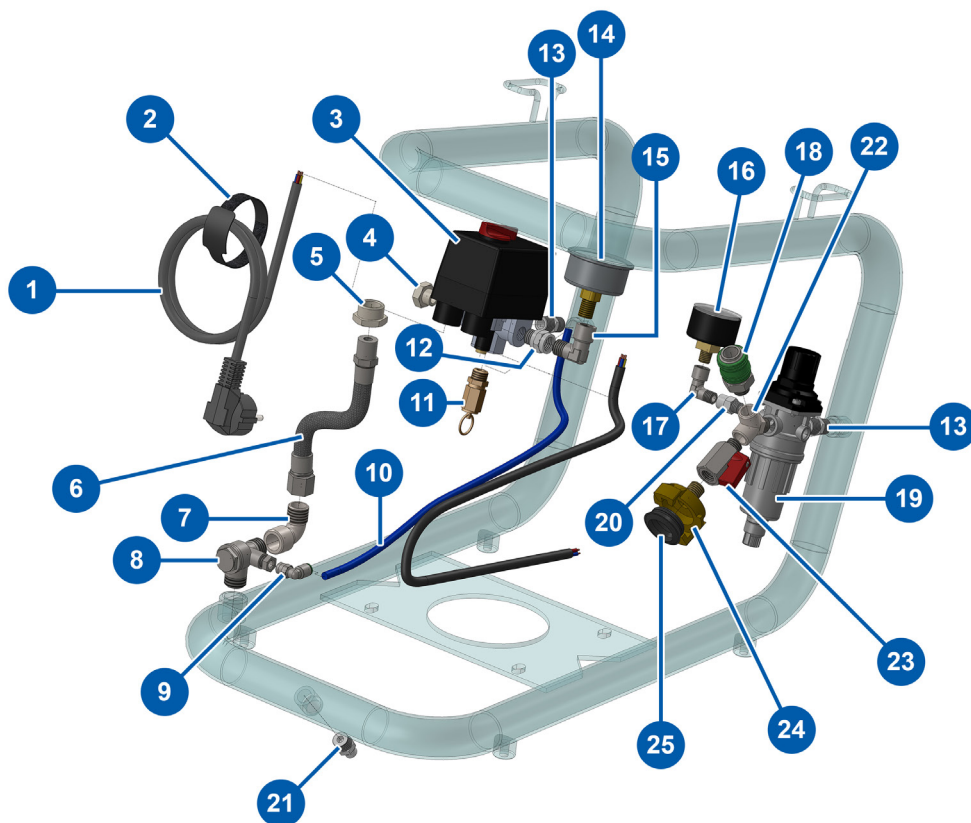


### General view



1	80454	EUROPRO 27 compression head
2	90266	Cable support Ø 7.9
3	90676	Cable support Ø 6.4
4	30357	EUROPRO 25 fixing plate
5	30147	Silentbloc Ø 20 x 15 M6 for Compact-pro 30
6	30142	Ø 30 x 15 M8 stop

### Air circuit



1	90180	Supply cable with moulded plug 3G 1,5 mm <sup>2</sup>	13	70027	Nipple BP 1/4 MaleC x 1/4 MaleC
2	12410	Self-gripping collar with loop 12,7 x 228 mm	14	80028	1/4 conical axial manometer - 50mm - 0 to 20 bar
3	30006	Single phase compressor pressure switch	15	30121	90° low-pressure elbow 1/4 MaleC x 1/4 FemaleD
4	30118	Male plug BP 1/4	16	80023	Axial manometer 1/8 conical 40 mm 0 to 10 bar
5	90244	Reduction BP 1/2 MaleC x 3/8 FemaleD	17	91169	Elbow BP 90° 1/8 MaleC x 1/8 FemaleD
6	30140	E 25 & 27 compressor outlet air hose	18	80080	Female quick fit coupling outer threaded 1/4" Ø 6
7	30120	Elbow BP 90° 3/8 MaleC x 3/8 FemaleD	19	90014	Superimposed 1/4" regulator filter
8	80098	Anti-return valve M3/8 x M3/8	20	80642	Nipple BP 1/8 MaleD x 1/8 FemaleD
9	30124	Corrugated Legris coupling M1/8 Ø 6	21	30133	1/4" male compressor tank purge
10	30403	Black calibrated PU hose Ø 4 x 6	22	30123	Low pressure Y - M1/4 x F1/4 x F1/4
11	80097	1/4" threaded safety valve - 10 bar	23	30135	1/4" mini lux valve
12	90773	Low-pressure connecting nipple MaleD 1/4 x FemaleD 1/4	24	70097	1/4" outer threaded quick fit coupling
			25	12118	GEKA coupling gasket